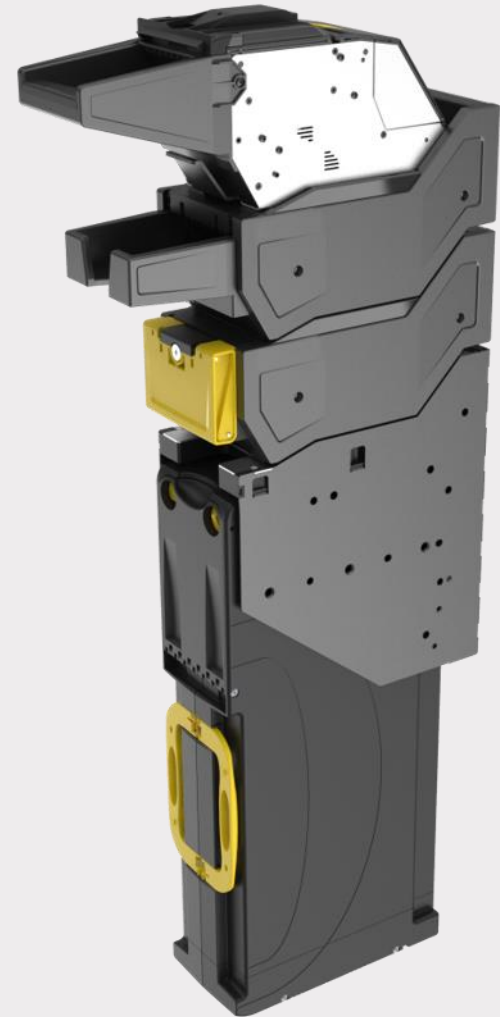




# **XB INTRODUCTION**

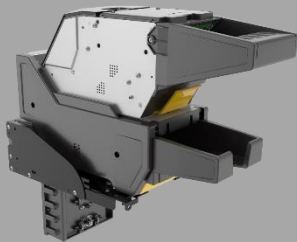
---

## **NEXT GENERATION BUNCH ACCEPTOR**



# XB BUNCH ACCEPTOR CONFIGURATIONS

## Stacker-less



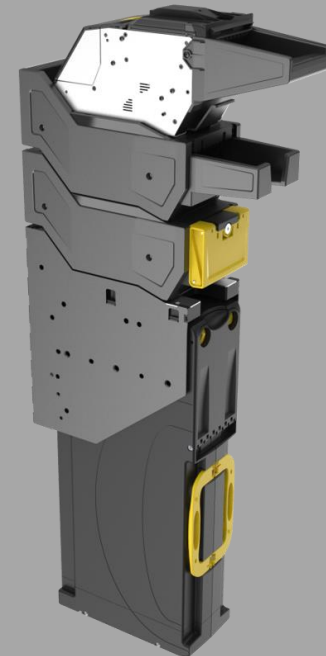
- 3 notes/sec in stacker-less mode

## Standard



- 3K large capacity cash box

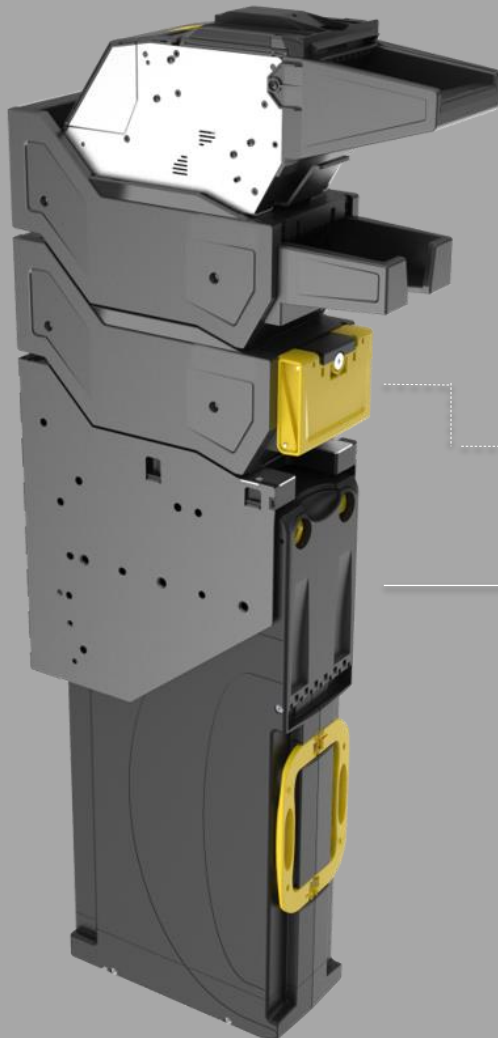
## Impounding



- Standard + multi-note impounding



# XB PRODUCT SPEC - STACKER



- Bunch note acceptance up to 50 notes capacity
- 20 note rejection tray
- Large capacity 3K note cash box
- 20 note compartment for suspected notes

Standard Model

Impounding Model

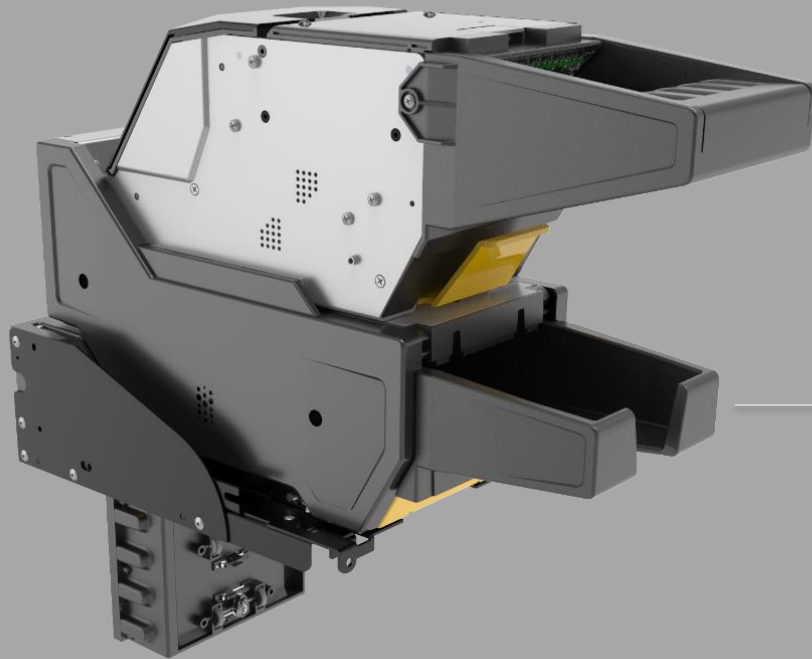
- Up to 1 notes/sec acceptance speed
- Next gen, future proof validation technology insures compliance with ECB6 and upcoming ink stain detection
- Segment leading jam performance
- 82 mm multi-width
- Uninterrupted operation in case of rejection
- Easy access to bill path

System



# XB PRODUCT SPEC — STACKER-LESS

---



## Acceptor

- Bunch note acceptance up to 50 notes capacity

## Rejection

- 20 note rejection tray

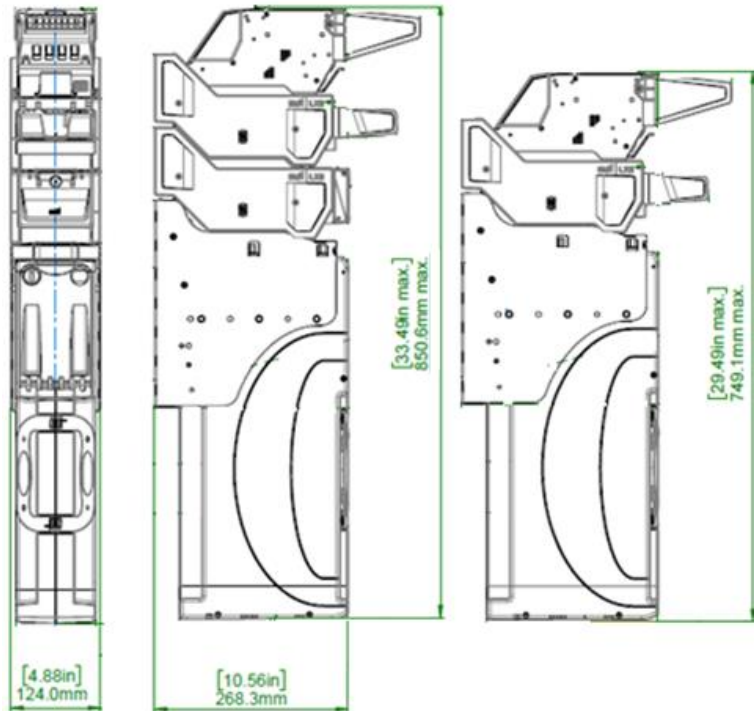
## System

- Up to 3 notes/sec acceptance speed
- Segment leading jam performance
- 82 mm multi-width
- Uninterrupted operation in case of rejection
- Easy access to bill path

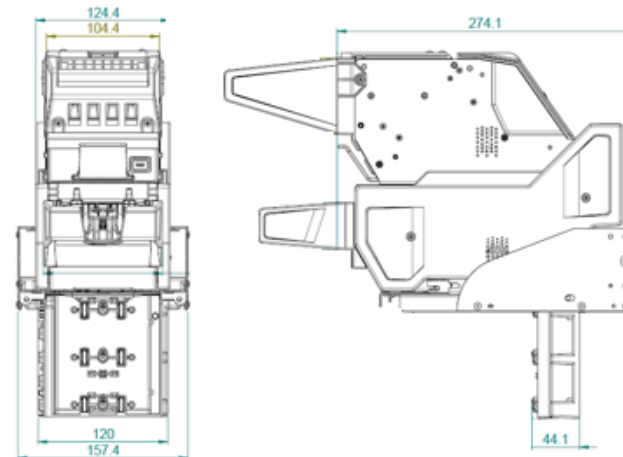


# XB FOOTPRINT – STACKER

## STACKER



## STACKER-LESS



### Stacker

#### **Standard Model**

H: 750 mm  
W: 124 mm  
D: 275 mm

#### **Impounding Model**

H: 850 mm  
W: 124 mm  
D: 275 mm

### Stacker-less

H: 850 mm  
W: 158 mm  
D: 275 mm